

Hilex RollMate® Hardware Installation Instructions

v1.1h - 1/16/04

Kit Contents:

3 Bag Holders (single probes)

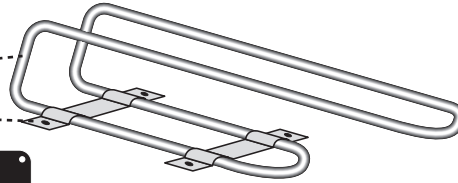
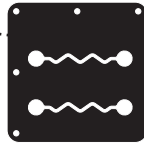
6 Brackets (2 per probe)

2 Jaws Plates

22 #10 screws

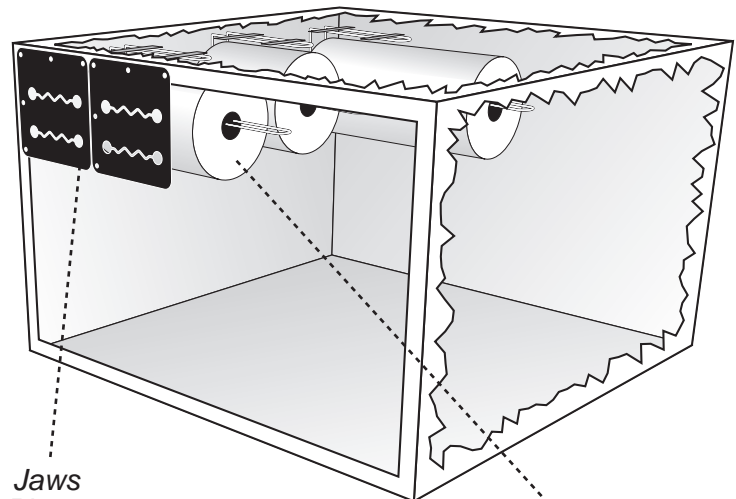
1 Size Sticker Strip

Installation Instructions

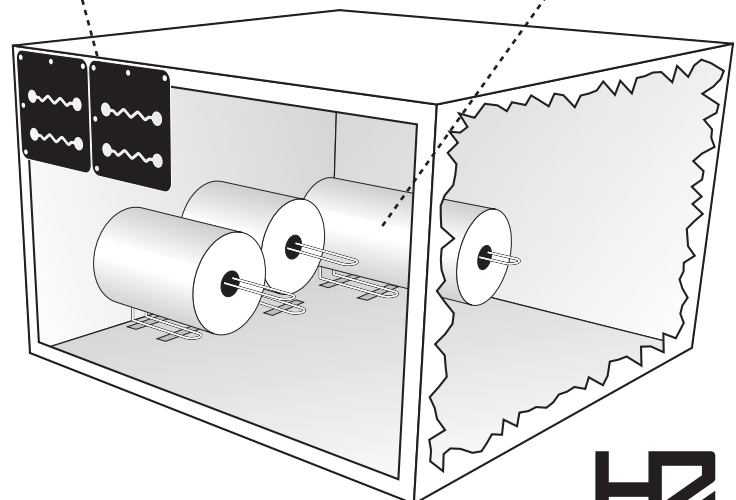


Underside Configuration

1. Place probes on underside of counter-top or on top of shelf.
2. Rolls of bags will require minimum clearance of 1.5" on all sides of roll. Rolls need to pull parallel to jaws plates to insure proper dispensing.
3. Allow 11" from end of probe to install full roll of bags onto probe.
4. If three probes to be mounted behind one another, offset third probe 1-1/2" so roll is centered to jaws plate.
5. Place bracket an inch from either end of short leg of probe. Then use two screws to each bracket to install.
6. Place jaws plate against counter edge. Secure plate by inserting at least three screws in top and side of plate.
7. Repeat process with second plate.



Top of Shelf Configuration



For more information about the Hilex Bagging System call 1-800-327-8510

